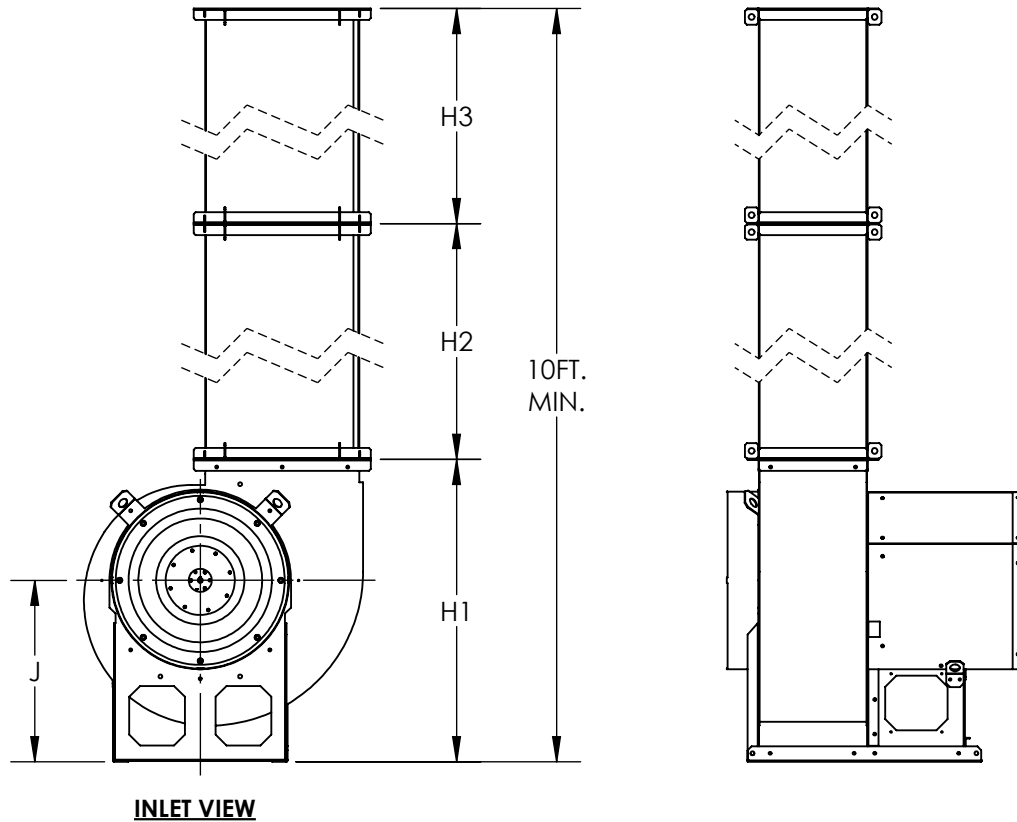


UTILITY VENT SET FAN
 UVS2, CLASS 1 AND 2, AR.4, OUTLET STACK



DIMENSIONAL DATA

| SIZE | H1 | H2 | H3 | J | WT. (lbs) | |
|------|-------|-------|-------|-------|-----------|---------|
| | | | | | ALUMINIUM | STEEL |
| 60 | 29.56 | 45.13 | 45.13 | 18.00 | 2 X 12 | 2 X 31 |
| 70 | 29.56 | 45.13 | 45.13 | 18.00 | 2 X 12 | 2 X 31 |
| 80 | 29.56 | 45.13 | 45.13 | 18.00 | 2 X 12 | 2 X 31 |
| 105 | 29.56 | 45.13 | 45.13 | 18.00 | 2 X 12 | 2 X 31 |
| 122 | 31.25 | 44.38 | 44.38 | 18.00 | 2 X 14 | 2 X 35 |
| 135 | 32.38 | 43.81 | 43.81 | 18.38 | 2 X 20 | 2 X 38 |
| 150 | 34.50 | 42.75 | 42.75 | 20.00 | 2 X 21 | 2 X 41 |
| 165 | 36.13 | 41.94 | 41.94 | 21.63 | 2 X 23 | 2 X 44 |
| 182 | 38.13 | 40.69 | 40.69 | 23.63 | 2 X 24 | 2 X 48 |
| 200 | 41.75 | 39.13 | 39.13 | 25.75 | 2 X 26 | 2 X 57 |
| 222 | 46.00 | 37.00 | 37.00 | 28.25 | 2 X 34 | 2 X 71 |
| 245 | 50.25 | 34.88 | 34.88 | 30.75 | 2 X 35 | 2 X 74 |
| 270 | 55.25 | 32.38 | 32.38 | 33.75 | 2 X 36 | 2 X 77 |
| 300 | 61.50 | 27.81 | 27.81 | 37.63 | 2 X 35 | 2 X 76 |
| 330 | 67.25 | 52.75 | - | 41.00 | 1 X 68 | 1 X 136 |

STANDARD CONSTRUCTION:

1. Aluminum construction with lifting lugs (not to lift entire fan).
2. One piece stack for size 330
3. Use of guy wires is required. Guy wires to be specified by consulting engineer.
4. Stacks will be shipped loose.

ALL DIMENSIONS ARE IN INCHES, ALL WEIGHTS ARE APPROXIMATE